

Accessories

- General Accessories
 - Ci7000 Series Port Up Accessory Feet Kit CIA-801 (doc CIA-515_A)
 - Port Down Vertical Stand CiA-805 (doc CIA-516_B)
 - Ci7000 Series Port Blocker Kit CIA-809 (doc CIA-531_B)
 - Dust Filter Kit CiA-815 (doc CIA-533_A)
- Accessories for Reflectance Measurement
 - Reflectance Cuvette Holder CiA-803 (doc CIA-513_A)
 - Reflectance Preform Holder Assembly CIA-802 (doc CIA-514_A)
 - Flush Mount Liquid Cell Holder CIA-807 (doc CIA-530_C)
 - Ci7x000 Pressure Arm CiA-806 (doc CIA-517_B)
 - Fiber Compression Cuvette SD146-01 (see doc CIA-517_B)
 - Glass 25mm Aperture A-AP/GLAV57 (see doc CIA-517_B)
 - Test Tube Holder Kit (28-30mm) CiA-811 (doc CIA-532_A) (OJ P/N 423891)
- Accessories for Transmittance Measurement
 - Transmission Kit CiA-800-02 / CiA-800-01 (doc CIA-510_A)
 - Flow Through Cell Holder Ci7-801 (Ci7-511_A)
 - Transmission Preform Sample Holder Ci7-802 (doc Ci7-512_B)





Transmission Kit CiA-800-02 / CiA-800-01

- CiA-800-01 for Ci7800
- CiA-800-02 for Ci7600



Total transmittance



Direct transmittance

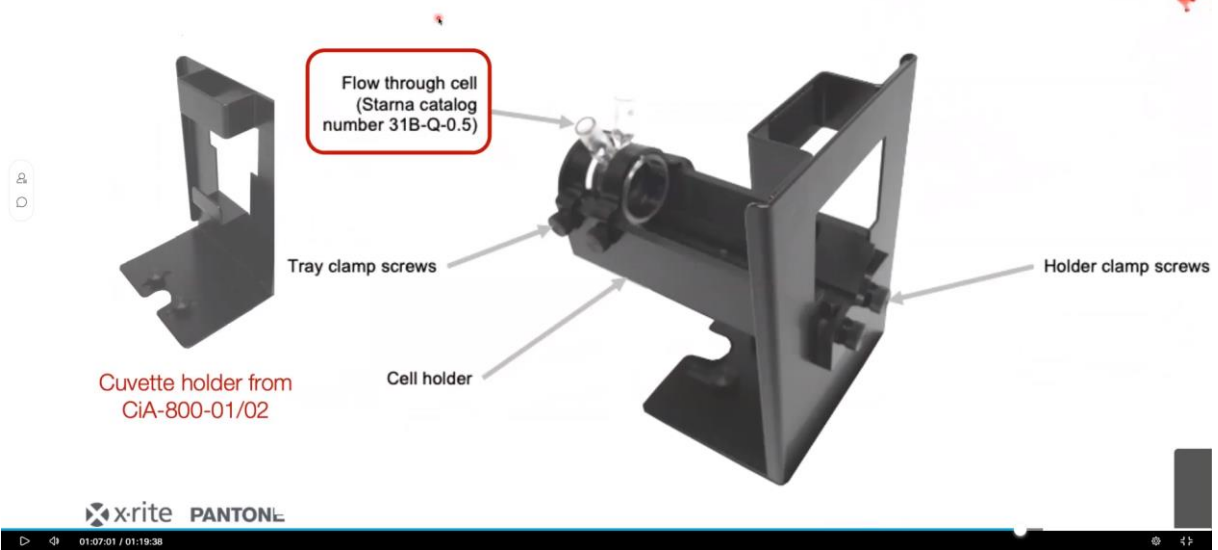




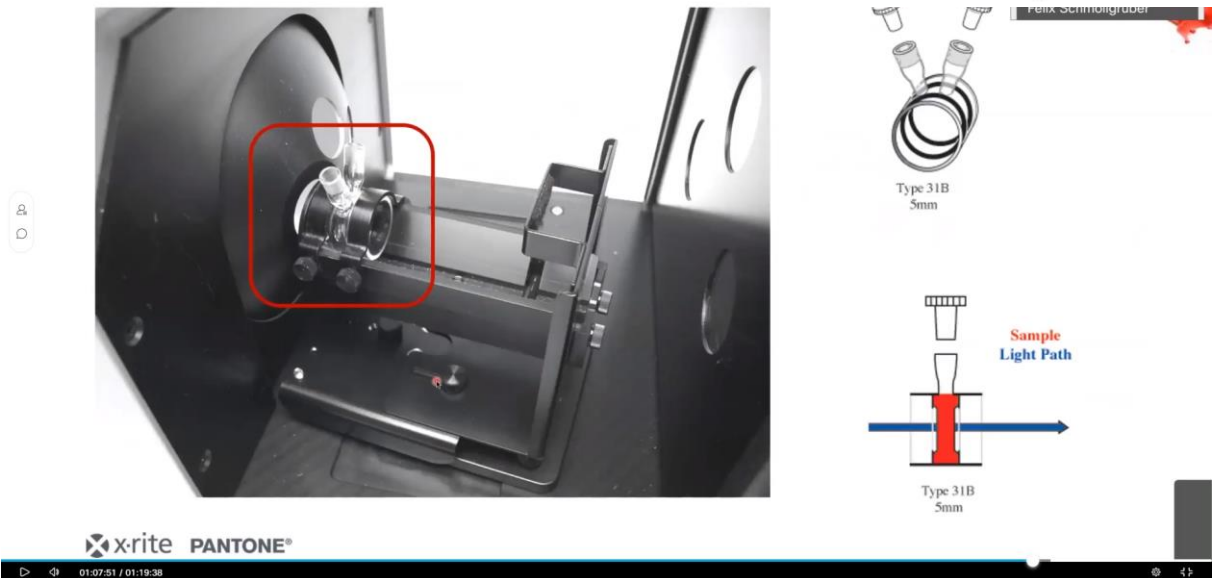
Transmission Liquid Cell

01:06:52 / 01:19:38

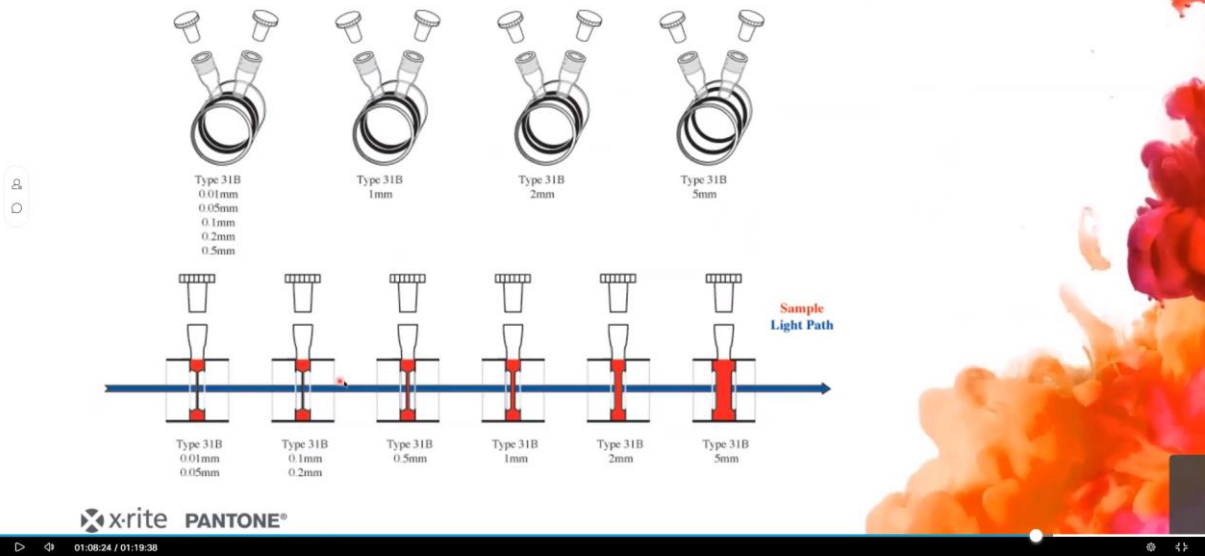
Flow Through Cell Holder Ci7-801



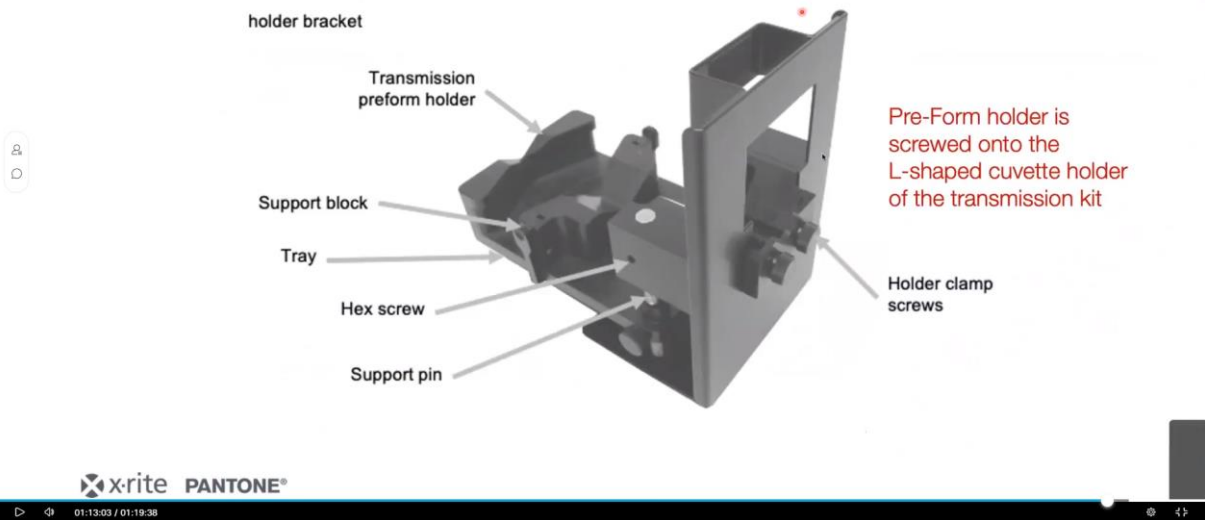
Flow Through Cell Holder Ci7-801



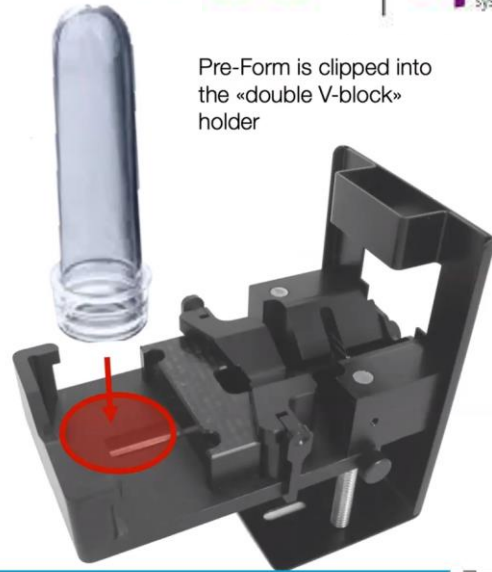
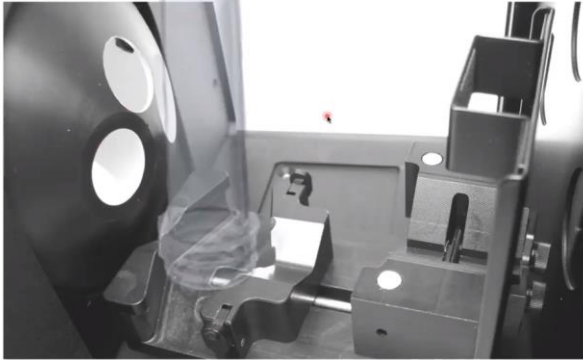
Various Flow Though



Transmission Preform Sample Holder Ci7-802



Transmission Preform Sample Holder Ci7-802 o o o | tqm
systems



Pre-Form is clipped into the «double V-block» holder

x-rite PANTONE®

01:13:42 / 01:19:38